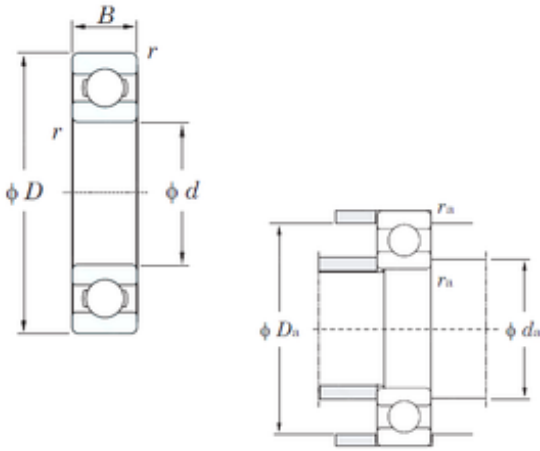




Shandong YuQi International Trade Co....



6311 Bearing 2D drawings and 3D CAD models

Motorcycle/Egine/Electric
 Motor/Pump/Generator Bearings 6311 6312 6313
 6314 6315 6316 6317 6318 6319 6320 6321 6322 Zz
 2RS NTN Timken NSK Koyo SKF Ball Bearing

Bearing No. 6311

Size	55x120x29 mm
Bore Diameter	55 mm
Outer Diameter	120 mm
Width	29 mm
d	55 mm
D	120 mm
B	29 mm
C	29 mm
r min.	2 mm
da min.	64 mm
Da max.	111 mm
ra max.	2 mm
Weight	1,37 Kg
Basic dynamic load rating (C)	71,6 kN
Basic static load rating (C0)	45 kN
(Grease) Lubrication Speed	5600 r/min
(Oil) Lubrication Speed	6700 r/min
Category	Single Row Ball Bearings
Inventory	0.0
Manufacturer Name	KOYO
Minimum Buy Quantity	N/A
Weight / Kilogram	1.478
Product Group	B00308



Shandong YuQi International Trade Co....

Enclosure	Open
Precision Class	ABEC 1 ISO P0
Maximum Capacity / Filling Slot	No
Rolling Element	Ball Bearing
Snap Ring	No
Internal Special Features	No
Cage Material	Steel
Internal Clearance	C0-Medium
Inch - Metric	Metric
Long Description	55MM Bore; 120MM Outside Diameter; 29MM Outer Race Diameter; Open; Ball Bearing; ABEC 1 ISO P0; No Filling Slot; No Snap Ring; No Internal Special Features
Category	Single Row Ball Bearing
UNSPSC	31171504
Harmonized Tariff Code	8482.10.50.68
Noun	Bearing
Keyword String	Ball
Manufacturer URL	http://www.koyousa.com
Manufacturer Item Number	6311
Weight / LBS	3.255
Outer Race Width	1.142 Inch 29 Millimeter
Bore	2.165 Inch 55 Millimeter
Outside Diameter	4.724 Inch 120 Millimeter
Bearing No.	6311
r(min)	2
Cr	89.5
C0r	45.0
Cu	3.45
f0	13.2



Shandong YuQi International Trade Co....

Grease lub.	5600
Oil lub.	6700
da(min)	64
Da(max)	111
ra(max)	2
(Refer.)Mass(kg)	1.37